

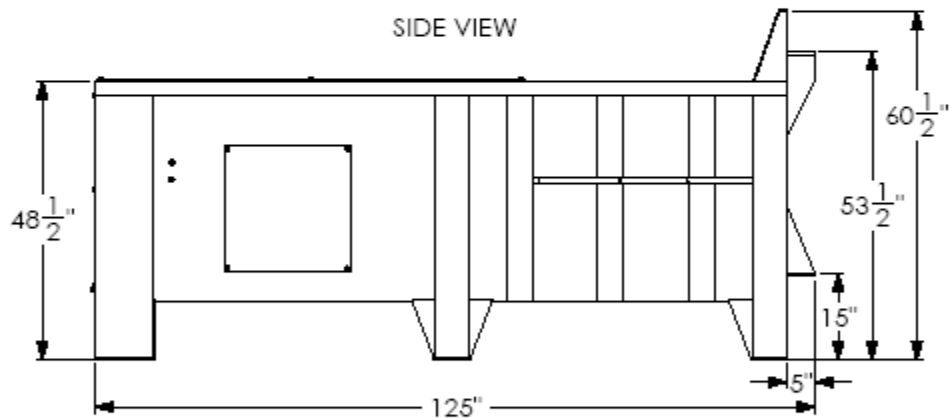
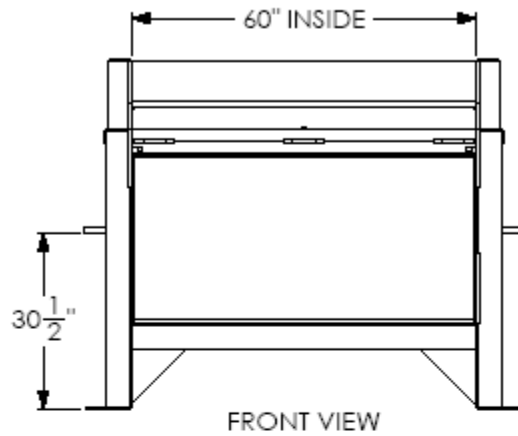
Model CMPST2-1 2-CY Stationary Compactor



Standard Specifications for Stationary Compactor

• Clear Top Opening	40.75 In x 60 In
• Cycle Time	58 Seconds
• Normal Force (Total)	50,868 Pounds
• Maximum Force (Total)	56,520 Pounds
• Normal Ram Face Pressure	30.3 PSI
• Maximum Ram Face Pressure	33.6 PSI
• Ram Penetration	14 Inches
• Motor	10 HP TEFC
• Pump	12 GPM
• Normal Pressure (Hydraulic)	1,800 PSI
• Maximum Pressure (Hydraulic)	2,000 PSI
• Cylinder Stroke	56 Inches
• Cylinder Bore	6 Inches
• Rod Diameter	2.5 Inches
• Reservoir Capacity	25 Gallon

*ALL MEASUREMENTS ARE NOMINAL



All designs and specifications are subject to change at the manufacturer's sole discretion at any time without notice. The data published herein is informational in nature and should not be misconstrued to warrant suitability of the unit for any purpose as performance may vary with the conditions encountered. Products must be installed and operated with applicable standards, costs, regulations and recommended safety procedures.