

Model CMPST4-1 4-CY Stationary Compactor

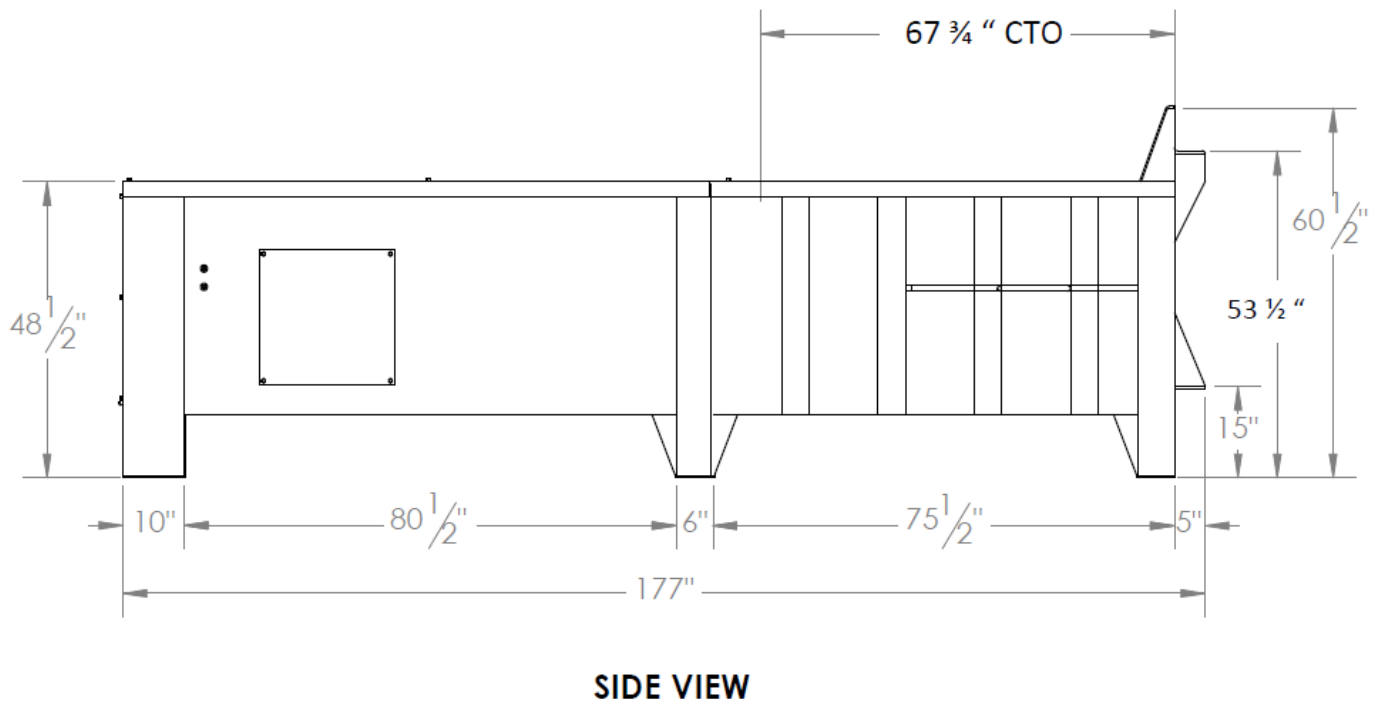
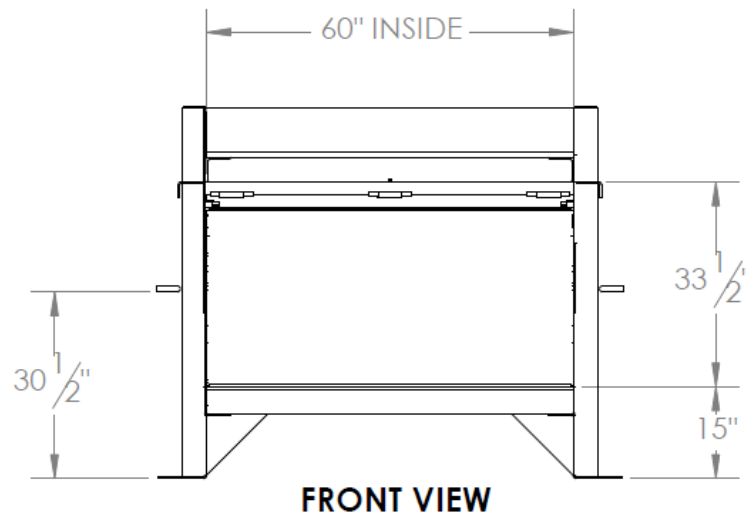


Standard Specifications

• Clear Top Opening	67.75" x 58.0"
• Cycle Time	50 Seconds
• Normal Force (Total)	50,868 Pounds
• Maximum Force (Total)	56,520 Pounds
• Normal Ram Face Pressure	30.3 PSI
• Maximum Ram Face Pressure	33.6 PSI
• Ram Penetration	14 Inches
• Motor	15 HP
• Pump	19 GPM
• Normal Pressure (Hydraulic)	1,800 PSI
• Maximum Pressure (Hydraulic)	2,000 PSI
• Cylinder Stroke	82 Inches
• Cylinder Bore	6 Inches
• Rod Diameter	4 Inches
• Reservoir Capacity	50 Gallon

*ALL MEASUREMENTS ARE NOMINAL

CMPST4-1



All designs and specifications are subject to change at the manufacturer's sole discretion at any time without notice. The data published herein is informational in nature and should not be misconstrued to warrant suitability of the unit for any purpose as performance may vary with the conditions encountered. Products must be installed and operated with applicable standards, costs, regulations and recommended safety procedures.