



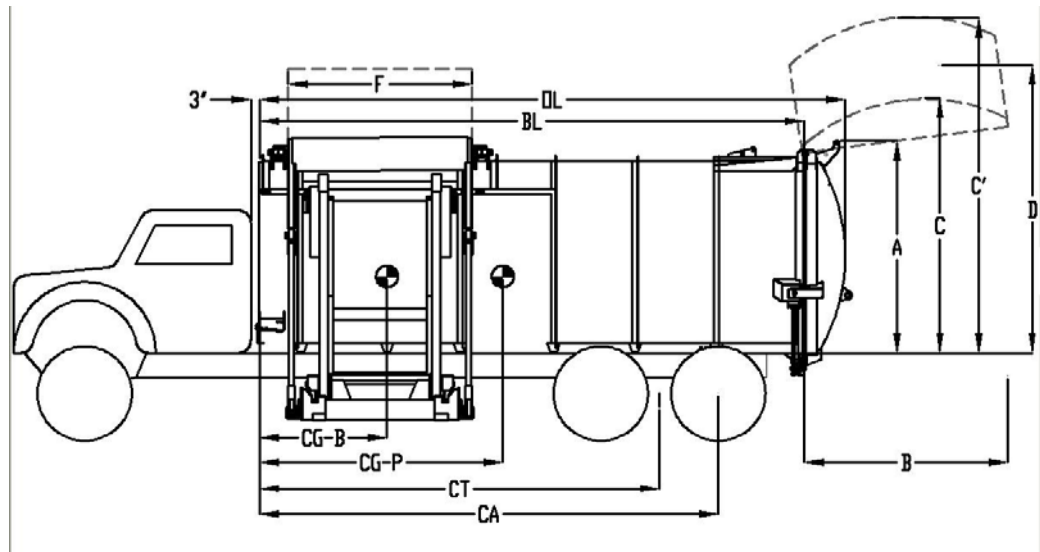
COMMERCIAL SIDE LOADER

The one-man automated system that handles a variety of commercial containers.



GENERAL SPECIFICATIONS

MODEL	CAPACITY		OVERALL LENGTH (OL)		BODY LENGTH (BL)		CG-BODY (CG-B)		CG-PAYLOAD (CG-P)		BODY WEIGHT (approx.)	
	yd ³	m ³	in	mm	in	mm	in	mm	in	mm	lb	kg
HLR24	24	18.3	228	5,791	210	5,334	82	2,083	154	3,911	13,480	6,114
HLR29	29	22.2	266	6,756	248	6,299	98	2,489	168	4,267	13,970	6,338
HLR33	33	25.2	299	7,595	248	6,299	102	2,591	180	4,572	14,870	6,745



DIMENSIONAL SPECIFICATIONS

SYMBOL	DESCRIPTION	DIMENSIONS	
		in	mm
A	Body Height Including Lift Device	98	2489
B	End of Body to End of Rear Door—Elevated Position	103	2616
C	Height of Rear Door—Elevated Position	105	2667
C'	Height of Rear Door - Elevated Position (HLR33)	156	3962
D	Body Height Including Lift Device—Elevated Position	151	3835
E	Rear of Cab or “Clear” Frame to Front of Body	3	76
F	Hopper Opening	70	1778

Pak-Mor Ltd.

P.O. Box 389
 Seguin, TX 78156
 Tel 830-303-7256
 Fax 830-303-3648

info@pakmor.com
 www.pakmor.com

The products illustrated in this catalog are protected by United States and foreign patents, patents pending, and patents applied for. Illustrations and specifications are not binding as Pak-Mor reserves the right under the company's product development program to change the design or construction details and to furnish equipment when thus altered without reference to illustrations or specifications presented herein and supersede all previously published information.



BODY & CONSTRUCTION SPECIFICATIONS

†—Hi-Tensile Steel

Body Shell†	11 ga	3.1 mm	Hopper Capacity	8.0 yd. ³	6.1 m ³	Pack Cyl. Main Bore	8-7/16 in.	214.3 mm
Body Floor†	3/16 in.	4.8 mm	Lift Reach	30 in.	762.0 mm	Lift Cylinders	4 in.	101.6 mm
Rear Door†	3/16 in.	4.8 mm	Lift Capacity	3000 lb.	1361 kg.	Lift Extend Cyl.	2-1/2 in.	63.6 mm
Packer Plate†	3/16 in.	4.8 mm	Lift Cycle	Approx. 20 Seconds		Rear Door Lift Cyl.	3 in.	76.2 mm
Packer Plate Guides†	6 in.	152.4 mm	Sweep Cycle	Approx. 10 Seconds		Oil Reservoir	50 gal.	189.3 lit
Lift Frame Side Plates†	1/4 in.	6.4 mm	Guides	6 in.	152.4 mm	Pump	48 GPM	181.78 lpm
Lift Frame Arms	1/2 x 3 in.	12.7 x 76.2 mm	Pack Cyl. Output	92000 lb.	41731 kg.	Hoses	4:1 Burst	
Lift Tracks†	3/8 in.	9.5 mm	Packer Face	15 psi	103 KPa	Primary Pressure	1800 psi	12140 KPa

CHASSIS REQUIREMENTS (*) () (***)**

MODEL	CA "CLEAR"		CT "CLEAR"		GAWR FRONT			GAWR REAR		GVW MINIMUM	
	in	mm	in	mm	type	lb	kg	lb	kg	lb	kg
HLR24	138-150	3505-3810	N/A		CONV	12000	5443	23000	10433	35000	15876
					COE	12000	5443	23000	10433	35000	15876
HLR29	165-175	4191-4445	160-170	4604-4318	SA CONV	12000	5443	23000	10433	35000	15876
					SA COE	12000	5443	23000	10433	35000	15876
					TA CONV	14000	6350	38000	17237	52000	23587
					TA COE	16000	7258	38000	17237	54000	24494
HLR33	N/A		165-175	4191-4495	CONV	14000	6350	40000	18144	54000	24494
					COE	16000	7258	40000	18144	56000	25401

(*) Conv = Conventional Cab; COE = Cab Over Engine; SA = Single Axle; TA = Tandem Axle

(***) Any chassis sent to PAK-MOR, LTD. with less than the minimum specifications will not be mounted.

(**) Body weights, minimum front and rear gross axle weight ratings (GAWR), and gross vehicle weights (GVW) are for standard HLR bodies. If optional features are specified, GAWR and GVW must be increased accordingly.

Standard Equipment:

- Rapid Sweep Cycle—to clear hopper
- Top Hopper Door (Lift Frame Cover)
- Top Hinged Hydraulic Rear Door
- Air Cab Controls
- Automatic Rear Door Locks
- LED Light Package
- Access Door, Curbside
- 50 Gal. Frame Mounted Oil Reservoir
- 150 GPM in-tank Return Filter
- 149 Micron Suction Strainer
- Packer Lockout - To Prevent Dumping Behind Blade

Optional Equipment:

- Logic Controls
- Remote Lubrication System
- Hopper & Work Lights
- HD Body (3/16" Walls, 1/4" Floor)
- Strobe and Multifunction Lights
- Curbside Lift—Streetside Access Door
- Lift Device for "Truxmore" type containers
- Lift Device for "Emco" type containers
- Fire Extinguisher w/ Bracket
- Toolboxes
- 80 gal. Washout Tank & More...

Pak-Mor Ltd.

P.O. Box 389
 Seguin, TX 78156
 Tel 830-303-7256
 Fax 830-303-3648

All Pak-Mor bodies comply with standards established by the American National Standards Institute (ANSI) Z 245.1-2012. **SEPT 2014**

info@pakmor.com
 www.pakmor.com