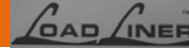




R100C

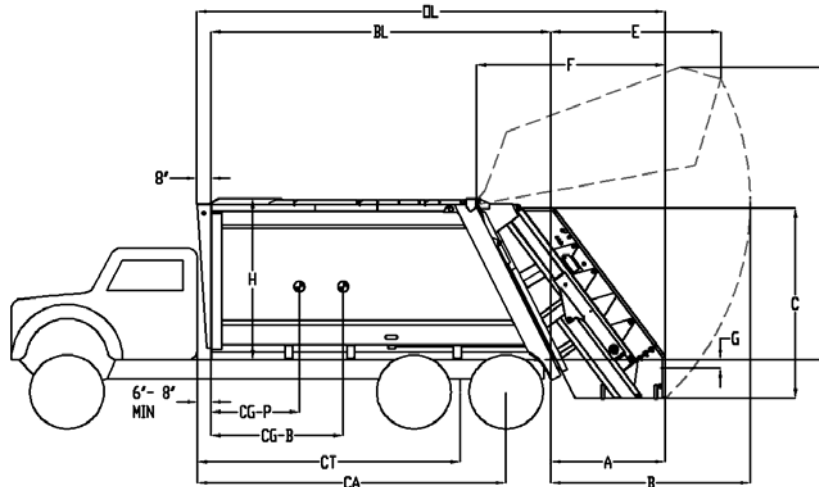
Rear Loader

Pak-Mor's Performance proven Load Liner Series is the most consistently designed product family in the refuse equipment industry today.



GENERAL SPECIFICATIONS

MODEL	CAPACITY		OVERALL LENGTH		BODY LENGTH		CG-BODY (CG-B)		CG-PAYLOAD (CG-P)		BODY WEIGHT	
	yd ³	m ³	in	mm	in	mm	in	mm	in	mm	lb	kg
R112C	12	9.2	179	4547	114	2896	71	1803	52	1321	10990	4985
R114C	14	10.7	189	4801	124	3150	78	1981	58	1473	11150	5058
R116C	16	12.2	202	5131	137	3480	86	2184	64	1626	11310	5130
R118C	18	13.8	215	5461	150	3810	93	2362	71	1803	11540	5235
R120C	20	15.3	227	5766	162	4115	100	2540	78	1981	11780	5343
R125C	25	19.1	263	6680	198	5029	129	3277	99	2515	12370	5611
R130C	30	22.9	295	7493	230	5842	147	3734	113	2870	12880	5842



DIMENSIONAL SPECIFICATIONS

SYM.	DESCRIPTION	DIMENSIONS	
		in	mm
A	End of Body to End of Hopper	58	1473
B	End of Body to Extreme Arc of Tailgate	107	2718
C	Height of Tailgate	116	2946
D	Height of Tailgate - Elevated Position	158	4013
E	End of Body to End of Tailgate - Elevated Position	97	2464
F	Tailgate Length	102	2591
G	Loading Height Below Chassis Frame	5	127
G'	Loading Height Below Chassis Frame - w/ Opt. Large Volume Hopper	1	25
H	Body Height	94	2388
-	Body Width	96	2438

Pak-Mor Ltd.
P.O. Box 389
Seguin, TX 78156
Tel 830-303-7256
Fax 830-303-3648
info@pakmor.com
www.pakmor.com

The products illustrated in this catalog are protected by United States and foreign patents, patents pending, and patents applied for. Illustrations and specifications are not binding as Pak-Mor reserves the right under the company's product development program to change the design or construction details and to furnish equipment when thus altered without reference to illustrations or specifications presented herein and supersede all previously published information.



R100C

BODY & CONSTRUCTION SPECIFICATIONS

Body Sides & Roof (80k)	10 ga	3.4 mm	Hopper Load Width	78 in	1981 mm	Sweep Cylinders	4 in	101.6 mm
Body Floor (50k)	10 ga	3.4 mm	Hopper Open Height	64 in	1626 mm	Eject Cylinder (12-20)	5 in	127.0 mm
Ejection Panel Guides	6 in	152.4 mm	Packing Cycle			Eject Cylinder (25,30)	5-1/4 in	133.3 mm
Ejection Panel (50k)	10 ga	3.4 mm	Complete	20 sec. (approx.)		Tailgate Lift Cylinders	3-1/2 in	88.9 mm
Hopper Sidewalls (50k)	10 ga	3.4 mm	Reload	8 sec. (approx.)		Oil Reservoir	50 gal	189 L
Hopper Floor (50k)	1/4 in	6.4 mm	Packing Force			Pump	29 GPM	110 LPM
Sweep/Pack Blade (50k)	3/16 in	4.8 mm	Pack Cyl. Output	45236 lb	20519 kg	Hoses	4:1 burst	
Hopper Capacity	2.0 yd ³	1.5 m ³	Sweep Face	31 psi	214 KPa	Primary Pressure	2000 psi	13790 KPa
Hopper Cap. (CHD)	2.5 yd ³	1.9 m ³	Pack Cylinders	4 in	101.6 mm	Packing Pressure	1800 psi	12411 KPa

CHASSIS REQUIREMENTS (*) (**) (***) (****)

MODEL	CA "CLEAR"		CT "CLEAR"		GAWR FRONT			GAWR REAR		GVW MINIMUM	
	in	mm	in	mm	type	lb	kg	lb	kg	lb	kg
R112C	89-96	2261-2438	N/A		CONV	6500	2948	18000	8165	24500	11113
					COE	8500	3856	18000	8165	26500	12020
R114C	96-106	2438-2692	N/A		CONV	6500	2948	19500	8845	26000	11794
					COE	8500	3856	19500	8845	28000	12701
R116C	108-118	2743-2997	N/A		CONV	7000	3174	21000	9526	28000	12701
					COE	9000	4082	21000	9526	30000	13608
R118C	120-130	3048-3302	N/A		CONV	9000	4082	21000	9526	30000	13608
					COE	10500	4762	21000	9526	31500	14288
R120C	138-148	3505-3579	120-130	3048-3302	SA CONV	10000	4535	22000	9979	32000	14515
					SA COE	11500	5215	22000	9979	33500	15196
					TA CONV	7500	3401	34000	15422	41500	18824
					TA COE	9000	4082	34000	15422	43000	19505
R125C	N/A		155-165	3937-4191	CONV	10000	4535	34000	15422	44000	19958
					COE	11500	5215	34000	15422	45500	20639
R130C	N/A		186-196	4724-4978	CONV	11000	4989	34000	15422	45000	20412
					COE	13000	5896	34000	15422	47000	21319

(*) Conv = Conventional Cab; COE = Cab Over Engine; SA = Single Axle; TA = Tandem Axle

(***) Any chassis sent to PAK-MOR, LTD with less than minimum specifications will not be mounted

(**) Body weights, minimum front and rear gross axle weight ratings (GAWR), and gross vehicle weights (GVW) are for standard R100C bodies. If optional features are specified, GAWR and GVW must be increased accordingly.

(****) Maximum afterframe single axle chassis = 32 inches.

Standard Equipment:

- Skid Resistant Rear Steps & Handrails
- LED Light Package
- Rear Mounted 5 Lamp Upper Light Bar
- Positive Lever Controls w/ Throttle Advance
- Driver Alert, Curbside
- 50 Gal. Frame Mounted Oil Reservoir
- 150 GPM In-tank Return Filter

Optional Equipment:

- Roll Bar Handling Device
- Overhead Winch
- Overhead Reeving Cylinder
- Automatic Tailgate Locks
- Hopper Lights
- Strobe & Multifunction Lights
- Toolboxes & Water Coolers
- Suction Line Filter
- Access Door & Ladder
- Front Mount Pump Systems
- Body Mounted Oil Reservoir
- Splash Guards
- Hopper & Gate Liners
- & More....

Pak-Mor Ltd.
P.O. Box 389
Seguin, TX 78156

Tel 830-303-7256
Fax 830-303-3648

All Pak-Mor bodies comply with standards established by the American National Standards Institute (ANSI) Z 245.1-2012. **SEPT 2014**

info@pakmor.com
www.pakmor.com