

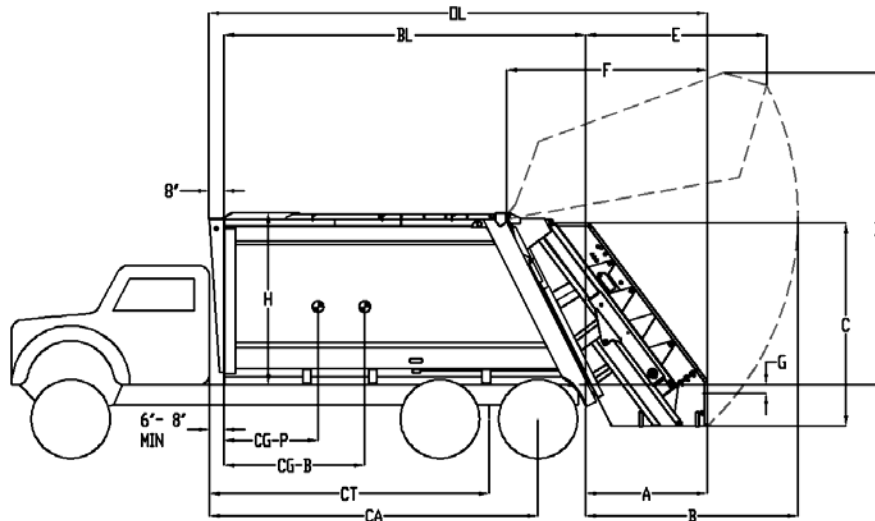


Pak-Mor's performance proven Load Liner Series is the most consistently designed product family in the refuse equipment industry today.



GENERAL SPECIFICATIONS

MODEL	CAPACITY		OVERALL LENGTH		BODY LENGTH		CG-BODY (CG-B)		CG-PAYLOAD (CG-P)		BODY WEIGHT	
	yd ³	m ³	in	mm	in	mm	in	mm	in	mm	lb	kg
R320C	20	15.3	245	6223	162	4115	110	2794	78	1981	14850	6736
R325C	25	19.1	281	7138	198	5029	140	3556	99	2515	15440	7004
R330C	30	22.9	313	7950	230	5842	165	4191	113	2870	16050	7280



DIMENSIONAL SPECIFICATIONS

SYM.	DESCRIPTION	DIMENSIONS	
		in	mm
A	End of Body to End of Hopper	74	1880
B	End of Body to Extreme Arc of Tailgate	120	3048
C	Height of Tailgate	116	2946
D	Height of Tailgate - Elevated Position	186	4724
E	End of Body to End of Tailgate - Elevated Position	96	2438
F	Tailgate Length	118	2997
G	Loading Height Below Chassis Frame	5	127
G'	Loading Height Below Chassis Frame - w/ Opt. Large Volume Hopper	1	25
H	Body Height	94	2388
-	Body Width	96	2438

Pak-Mor Ltd.
P.O. Box 389
Seguin, TX 78156
Tel 830-303-7256
Fax 830-303-3648

info@pakmor.com
www.pakmor.com

The products illustrated in this catalog are protected by United States and foreign patents, patents pending, and patents applied for. Illustrations and specifications are not binding as Pak-Mor reserves the right under the company's product development program to change the design or construction details and to furnish equipment when thus altered without reference to illustrations or specifications presented herein and supersede all previously published information.



R300C

BODY & CONSTRUCTION SPECIFICATIONS

Body Sides & Roof (80k)	10 ga	3.4 mm	Hopper Load Width	78 in	1981 mm	Sweep Cylinders	6 in	152.4 mm
Body Floor (50k)	10 ga	3.4 mm	Hopper Open Height	67 in	1702 mm	Eject Cylinder (20)	5 in	127.0 mm
Ejection Panel Guides	6 in	152.4 mm	Packing Cycle			Eject Cylinder (25,30)	5-1/4 in	133.3 mm
Ejection Panel (50k)	10 ga	3.4 mm	Complete	35 sec. (approx.)		Tailgate Lift Cylinders	3-1/2 in	88.9 mm
Hopper Sidewalls (50k)	3/16 in	4.8 mm	Reload	15 sec. (approx.)		Oil Reservoir	50 gal	189 L
Hopper Floor (80k)	1/4 in	6.4 mm	Packing Force			Pump	48 GPM	181.7 LPM
Sweep/Pack Blade (50k)	1/4 in	6.4 mm	Pack Cyl. Output	90478 lb	41041 kg	Hoses	4:1 burst	
Hopper Capacity	3.0 yd ³	2.3 m ³	Sweep Face	39 psi	268.9 KPa	Primary Pressure	2450 psi	16892 KPa
Hopper Cap. (CHD)	3.3 yd ³	2.5 m ³	Pack Cylinders	6 in	152.4 mm	Packing Pressure	1600 psi	11030 KPa

CHASSIS REQUIREMENTS (*) (**) (***) (****)

MODEL	CA "CLEAR"		CT "CLEAR"		GAWR FRONT			GAWR REAR		GVW MINIMUM	
	in	mm	in	mm	type	lb	kg	lb	kg	lb	kg
R320C	****		N/A		SA CONV	****	****	****	****	****	****
					SA COE	****	****	****	****	****	****
			120-130	3048-3302	TA CONV	10000	4535	37500	17010	47500	21546
					TA COE	12000	5443	34500	15649	46500	21092
R325C	N/A		155-165	3937-4191	CONV	12000	5443	38000	17237	50000	22680
					COE	15000	6804	37000	16783	52000	23587
R330C	N/A		186-196	4724-4978	CONV	12000	5443	42000	19051	54000	24494
					COE	15000	6804	41000	18597	56000	25401

(*) Conv = Conventional Cab; COE = Cab Over Engine; SA = Single Axle; TA = Tandem Axle

(****) Any chassis sent to PAK-MOR, LTD with less than minimum specifications will not be mounted

(**) Body weights, minimum front and rear gross axle weight ratings (GAWR), and gross vehicle weights (GVW) are for standard R300C bodies. If optional features are specified, GAWR and GVW must be increased accordingly.

(****) Consult Seguin office.

Standard Equipment:

- Skid Resistant Rear Steps & Handrails
- LED Light Package
- Rear Mounted 5 Lamp Upper Light Bar
- Positive Lever Controls w/ Throttle Advance
- Driver Alert, Curbside
- 50 Gal. Frame Mounted Oil Reservoir
- 150 GPM In-tank Return Filter

Optional Equipment:

- Roll Bar Handling Device
- Overhead Winch
- Overhead Reeving Cylinder
- Automatic Tailgate Locks
- Hopper Lights
- Strobe & Multifunction Lights
- Toolboxes & Water Coolers
- Suction Line Filter
- Access Door & Ladder
- Front Mount Pump Systems
- Body Mounted Oil Reservoir
- Splash Guards
- Hopper & Gate Liners
- & More....

All Pak-Mor bodies comply with standards established by the American National Standards Institute (ANSI) Z 245.1-2012. **SEPT 2014**

Pak-Mor Ltd.
P.O. Box 389
Seguin, TX 78156
Tel 830-303-7256
Fax 830-303-3648
info@pakmor.com
www.pakmor.com