



RBS100



Designed and fabricated with the same integrity as our larger bodies, it is BUILT FOR THE LONG HAUL. This small rear load compaction body is ideal for gated communities, small alleys, parks, and missed stops.

RBS SERIES STANDARD FEATURES:

- ***Automatic Tailgate Locks***
- ***Street Side Body Access Door***
- ***Skid-resistant Rear Steps With Grab Handles***
- ***Frame Mounted Hydraulic Reservoir***
- ***Rear Driver Signal, Curb Side***
- ***Chrome Plated Cylinders***



The products illustrated in this catalog are protected by United States and foreign patents, patents pending, and patents applied for. Illustrations and specifications are not binding as Pak-Mor reserves the right under the company's product development program to change the design or construction details and to furnish equipment when thus altered without reference to illustrations or specifications presented herein and supersede all previously published information.

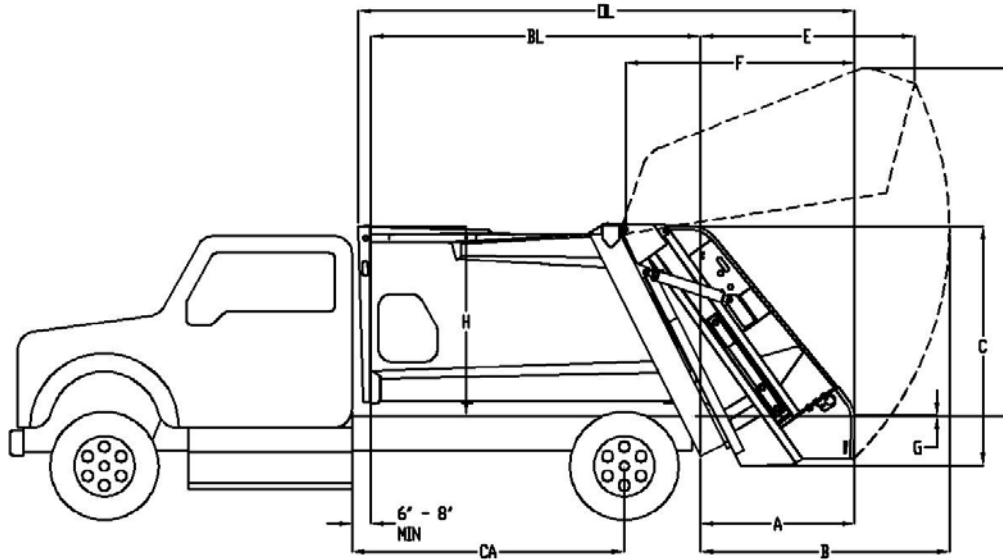
SEPT 2014

Pak-Mor Ltd.
P.O. Box 389
Seguin, TX 78156
Tel 830-303-7256
Fax 830-303-3648

info@pakmor.com
www.pakmor.com



RBS100



DIMENSIONAL SPECIFICATIONS

End of Body to End of Hopper (A)	50 in (1270 mm)	Tailgate Length (F)	74 in (1880 mm)
End of Body to Extreme Arc of Tailgate (B)	81 in (2057 mm)	Loading Height Above Chassis Frame (G)	3/8 in (10 mm)
Height of Tailgate (C)	84 in (2134 mm)	Body Height (H)	68 in (1727 mm)
Height of Tailgate - Elevated (D)	113 in (2870 mm)	Body Width	81 in (2057 mm)
End of Body to End of Tailgate - Elevated (E)	69 in (1753 mm)		

GENERAL SPECIFICATIONS

Model	RBS106	RBS108	RBS110
Body Capacity	6 YD ³ (4.6 M ³)	8 YD ³ (6.1 M ³)	10 YD ³ (7.7 M ³)
Overall Length (OL)	157 in (3988 mm)	184 in (4674 mm)	211 in (5360 mm)
Body Length (BL)	109 in (2769 mm)	136 in (3454 mm)	163 in (4140 mm)
Body Weight (Approx.)	5800 lb (2631 kg)	6110 lb (2771 kg)	6420 lb (2912 kg)

BODY & CONSTRUCTION SPECIFICATIONS

Hopper Capacity	1 YD ³ (0.77 M ³)
Hopper Load Width	58 in (1473 mm)
Hopper Open Height	36 in (914 mm)

Body Sides & Roof	10 ga (3.4 mm)
Body Floor	10 ga (3.4 mm)
Ejection Panel	10 ga (3.4 mm)
Hopper Sidewalls	10 ga (3.4 mm)
Sweep & Pack Blade	3/16 in (4.8 mm)

HYDRAULIC SPECIFICATIONS

Sweep Cylinder Bore	3 in (76 mm)
Pack Cylinder Bore	3-1/2 in (89 mm)
Primary Operating Pressure	2000 PSI (13790 KPa)
Pump	20 GPM (75.7 LPM)
Hydraulic Oil Reservoir	22 gal. (83.3 L)

CHASSIS REQUIREMENTS

MODEL	CA CLEAR		GVW - MINIMUM	
	IN	MM	LB	KG
RBS106	81	2057	17500	7938
RBS108	108	2743	19500	8845
RBS110	135	3429	22000	9979



Pak-Mor Ltd.
P.O. Box 389
Seguin, TX 78156
Tel 830-303-7256
Fax 830-303-3648

info@pakmor.com
www.pakmor.com