



RHC200C

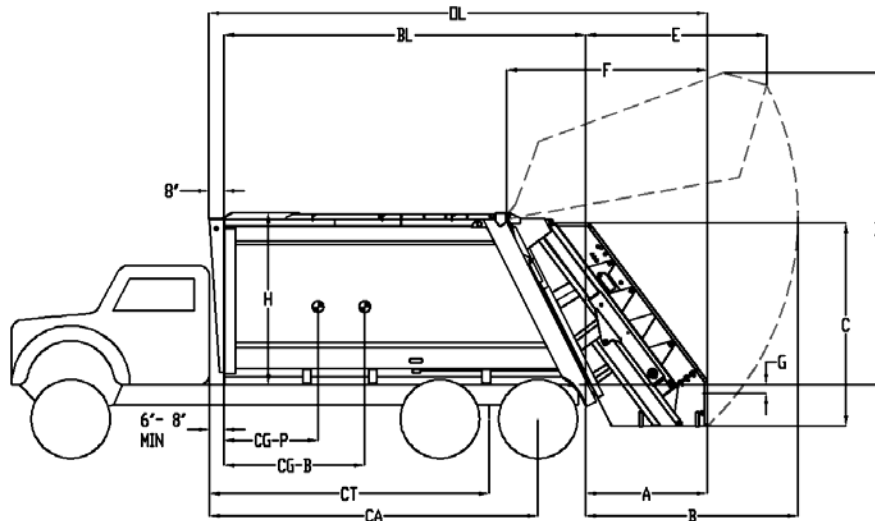
Rear Loader

Pak-Mor's performance proven Load Liner Series is the most consistently designed product family in the refuse equipment industry today.



GENERAL SPECIFICATIONS

MODEL	CAPACITY		OVERALL LENGTH		BODY LENGTH		CG-BODY (CG-B)		CG-PAYLOAD (CG-P)		BODY WEIGHT	
	yd ³	m ³	in	mm	in	mm	in	mm	in	mm	lb	kg
RHC218C	18	13.8	224	5690	150	3810	96	2438	71	1803	13430	6092
RHC220C	20	15.3	236	5995	162	4115	106	2692	78	1981	13670	6201
RHC225C	25	19.1	272	6909	198	5029	134	3404	99	2515	14260	6468
RHC230C	30	22.9	304	7722	230	5842	154	3912	113	2870	14870	6745



DIMENSIONAL SPECIFICATIONS

SYM.	DESCRIPTION	DIMENSIONS	
		in	mm
A	End of Body to End of Hopper	65	1651
B	End of Body to Extreme Arc of Tailgate	113	2870
C	Height of Tailgate	115	2921
D	Height of Tailgate - Elevated Position	176	4470
E	End of Body to End of Tailgate - Elevated Position	94	2388
F	Tailgate Length	107	2718
G	Loading Height Below Chassis Frame	5	127
G'	Loading Height Below Chassis Frame - w/ Opt. Large Volume Hopper	1	25
H	Body Height	94	2388
-	Body Width	96	2438

Pak-Mor Ltd.
P.O. Box 389
Seguin, TX 78156
Tel 830-303-7256
Fax 830-303-3648

info@pakmor.com
www.pakmor.com

The products illustrated in this catalog are protected by United States and foreign patents, patents pending, and patents applied for. Illustrations and specifications are not binding as Pak-Mor reserves the right under the company's product development program to change the design or construction details and to furnish equipment when thus altered without reference to illustrations or specifications presented herein and supersede all previously published information.

SEPT 2014



RHC200C

BODY & CONSTRUCTION SPECIFICATIONS

Body Sides & Roof (80k)	10 ga	3.4 mm	Hopper Load Width	78 in	1981 mm	Sweep Cylinders	5 in	127.0 mm
Body Floor (50k)	10 ga	3.4 mm	Hopper Open Height	62 in	1575 mm	Eject Cylinder (18,20)	5 in	127.0 mm
Ejection Panel Guides	6 in	152.4 mm	Packing Cycle			Eject Cylinder (25,30)	5-1/4 in	133.3 mm
Ejection Panel (50k)	10 ga	3.4 mm	Complete	25 sec. (approx.)		Tailgate Lift Cylinders	3-1/2 in	88.9 mm
Hopper Sidewalls (50k)	3/16 in	4.8 mm	Reload	12 sec. (approx.)		Oil Reservoir	50 gal	189 L
Hopper Floor (100k)	1/4 in	6.4 mm	Packing Force			Pump	48 GPM	181.7 LPM
Sweep/Pack Blade (50k)	1/4 in	6.4 mm	Pack Cyl. Output	72649 lb	32954 kg	Hoses	4:1 burst	
Hopper Capacity	2.8 yd ³	2.2 m ³	Sweep Face	39 psi	268.9 KPa	Primary Pressure	2450 psi	16892 KPa
Hopper Cap. (CHD)	3.2 yd ³	2.4 m ³	Pack Cylinders	5 in	127.0 mm	Packing Pressure	1850 psi	12755 KPa

CHASSIS REQUIREMENTS (*) (**) (***) (****)

MODEL	CA "CLEAR"		CT "CLEAR"		GAWR FRONT			GAWR REAR		GVW MINIMUM	
	in	mm	in	mm	type	lb	kg	lb	kg	lb	kg
RHC218C	125-135	3175-3429	108-118	2743-2997	SA CONV	12000	5443	27000	12247	39000	17690
					SA COE	12000	5443	27000	12247	39000	17690
					TA CONV	10000	4535	34000	15422	44000	19958
					TA COE	12000	5443	34000	15422	46000	20866
RHC220C	****	****	120-130	3048-3302	SA CONV	****	****	****	****	****	****
					SA COE	****	****	****	****	****	****
					TA CONV	10000	4535	37500	17010	47500	21546
					TA COE	12000	5443	34500	15649	46500	21092
RHC225C	N/A	155-165	3937-4191	CONV	12000	5443	38000	17237	50000	22680	
				COE	15000	6804	37000	16783	52000	23587	
RHC230C	N/A	186-196	4724-4978	CONV	12000	5443	42000	19051	54000	24494	
				COE	15000	6804	41000	18597	56000	25401	

(*) Conv = Conventional Cab; COE = Cab Over Engine; SA = Single Axle; TA = Tandem Axle

(***) Any chassis sent to PAK-MOR, LTD with less than minimum specifications will not be mounted

(**) Body weights, minimum front and rear gross axle weight ratings (GAWR), and gross vehicle weights (GVW) are for standard RHC200C bodies. If optional features are specified, GAWR and GVW must be increased accordingly.

(****) Consult Seguin office.

Standard Equipment:

- Skid Resistant Rear Steps & Handrails
- LED Light Package
- Rear Mounted 5 Lamp Upper Light Bar
- Positive Lever Controls w/ Throttle Advance
- Driver Alert, Curbside
- 50 Gal. Frame Mounted Oil Reservoir
- 150 GPM In-tank Return Filter

Optional Equipment:

- Roll Bar Handling Device
- Overhead Winch
- Overhead Reeving Cylinder
- Automatic Tailgate Locks
- Hopper Lights
- Strobe & Multifunction Lights
- Toolboxes & Water Coolers
- Suction Line Filter
- Access Door & Ladder
- Front Mount Pump Systems
- Body Mounted Oil Reservoir
- Splash Guards
- Hopper & Gate Liners
- & More....

Pak-Mor Ltd.

P.O. Box 389
Seguin, TX 78156
Tel 830-303-7256
Fax 830-303-3648

All Pak-Mor bodies comply with standards established by the American National Standards Institute (ANSI) Z 245.1-2012. **SEPT 2014**

info@pakmor.com
www.pakmor.com