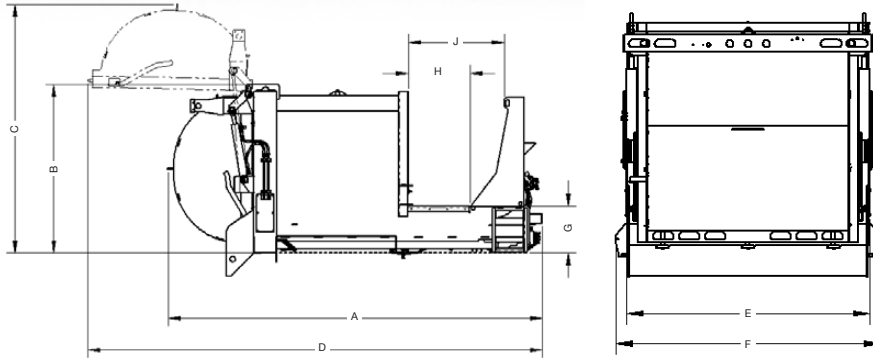


# TOMCAT



# TOMCAT



Body Specifications	8 CU. YD.	12 CU. YD.	14 CU. YD.
A LENGTH OF BODY	169"	178"	196"
B HEIGHT ABOVE CHASSIS FRAME	75"	88"	88"
C HEIGHT ABOVE CHASSIS FRAME, TAIL GATE RAISED	110"	119"	137"
D LENGTH OF BODY, TAIL GATE RAISED	205"	236"	250"
E WIDTH OF BODY	80"	83"	83"
F WIDTH OF FENDERS	85", 92", 96"	85", 92", 96"	85", 92", 96"
G LOADING SILL HEIGHT ABOVE CHASSIS FRAME	21"	21"	21"
H LOADING AREA WIDTH	31"	31"	31"
J TOP OF HOPPER OPENING OFF FRAME	46"	46"	46"
BODY WEIGHT	5,100 LBS	6,400 LBS	6,480 LBS
DYNAMIC HOPPER CAPACITY	4 CU. YD.	4 CU. YD.	4 CU. YD.
PRACTICAL FILLABLE LOADING VOLUME	1 CU. YD.	1 CU. YD.	1 CU. YD.

## Minimum Chassis Requirements

Minimum GVWR	19,500 LBS	26,000 LBS	27,500 LBS
FRONT AXLE	7,250 LBS	10,000 LBS	10,000 LBS
REAR AXLE	13,650 LBS	16,000 LBS	17,500 LBS
CAB TO AXLE	102"	120"	120"
REQUIRED FRAME HEIGHT	30" TO 37.5"	34" TO 37.5"	34" TO 37.5"
MINIMUM FRAME RAIL REQUIRED ( Back of Cab)	132"	150"	150"

## Features

- Chiseled Shell Design: Ultra-high strength-to-weight ratio.
- Low loading sill height
- Ambidextrous loading sills
- One-piece formed Hardox body floor
- 14-16 second packing cycle times
- Standard 8" side doors
- No-Fallback design
- Clean-out tray and doors both sides

## Hydraulic Cylinders

- All Cylinders double acting
- Pack (2) 3" diameter
- TC8 – 2.5" Diameter Eject Cyl
- TC12, TC14 – 3.5" Diameter Eject Cyl
- Tailgate (2) 3" diameter cylinders

## Pump

- Vane type
- Capacity: 12 GPM @ 1,200 RPM
- Maximum operation pressure: 3,000 PSI

## Hydraulic tank

- Capacity: 12 gallons
- Location: upper front
- Sight gauge: on tank
- Filter: 10 micron return line filter with by-pass valve

## Body Construction

- Sides: 11 gauge GR50
- Roof: 11 gauge GR50
- Floor: 3/16" Hardox
- Packer Face Panel: 3/8" 50,000 PSI

## Optional Equipment

- Strobe lights & Work Lights
- Cart tippers
- Hopper cover
- Upper hopper doors
- Split body (available in 8, 12, 14 CU. YD)



www.curbtender.com

701 PERFORMANCE DRIVE, CEDAR FALLS, IA 50613

PHONE: 319.266.1721, FAX: 319.266.8207

© 2019 Curbtender Inc., All Rights Reserved. Specifications subject to change.