

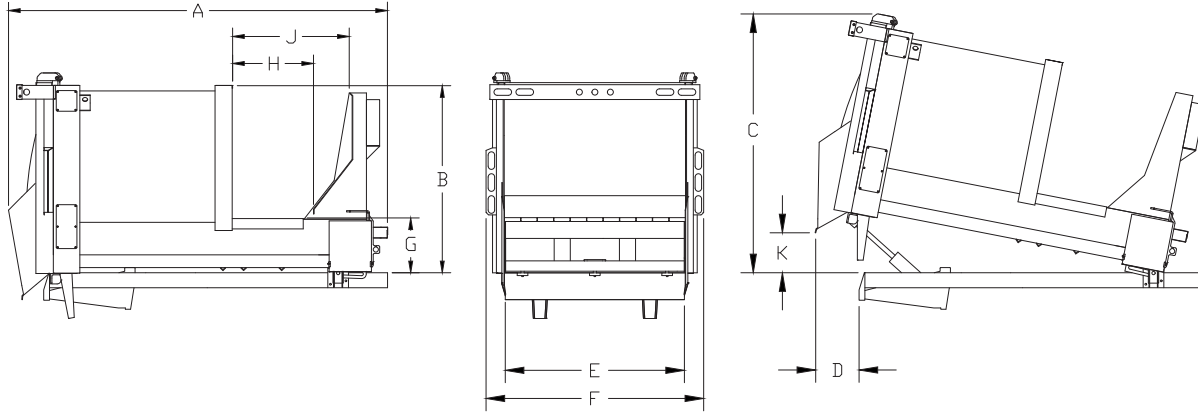
# TOMCAT

Satellite Transfer Model



# TOMCAT

## Satellite Transfer Model



Body Specifications	Satellite Dump		Flat TG, Rigid Mount
	6 CU. YD.	10 CU. YD.	6 CU. YD.
A LENGTH OF BODY	148"	166"	148"
B HEIGHT ABOVE CHASSIS FRAME	75"	88"	75"
C HEIGHT ABOVE CHASSIS FRAME, TRANSFER MODE	110"	113"	-
D BODY HORIZONTAL CLEARANCE, TRANSFER MODE	16"	17"	-
E WIDTH OF TAILGATE	69 1/2"	69 1/2"	69 1/2"
F WIDTH OF BODY	79"	82"	79"
G LOADING SILL HEIGHT ABOVE CHASSIS FRAME	23"	23"	21"
H LOADING AREA WIDTH	31"	31"	31"
J TOP OF HOPPER OPENING OFF FRAME	46"	46"	46"
K BODY CLEARANCE ABOVE FRAME, TRANSFER MODE	15"	13"	-
BODY WEIGHT	5,100 LBS	6,700 LBS	5,100 LBS
DYNAMIC HOPPER CAPACITY	4 CU. YD.	4 CU. YD.	4 CU. YD.
PRACTICAL FILLABLE LOADING VOLUME	1 CU. YD.	1 CU. YD.	1 CU. YD.

### Minimum Chassis Requirements

Minimum GVWR	17,950 LBS	23,500 LBS	17,950 LBS
FRONT AXLE	6,830 LBS	8,000 LBS	6,830 LBS
REAR AXLE	12,980 LBS	15,500 LBS	12,980 LBS
CAB TO AXLE	84"	108"	84"
FRAME HEIGHT	30" TO 37.5"	34" TO 37.5"	30" TO 37.5"
MINIMUM FRAME RAIL REQUIRED (Back of Cab)	132"	150"	132"

### Features

- Satellite Dump into Rear Loader
- Flat, Sliding Tailgate
- Chiseled Body Shell Design
- Ultra-High Strength-to-Weight Ratio
- Low Loading Sill Height
- Ambidextrous Loading Sills
- 14-16 Second Packing Cycle Time
- Standard 8" Side Doors
- No-Fallback Design
- Extra Large Hopper Clean-Out Doors
- Single Piece Formed AR450 Body Floor

### Hydraulic System

- Pump – Vane Type
- Capacity: 12 GPM @ 1,200 RPM
- Maximum Operation Pressure: 3,000 PSI
- 12 gallons Hydraulic Tank
- Sight Gauge on Tank
- 10 Micron Return Line Filter with By-pass Valve

### Body Construction

- Sides: 11 gauge GR50
- Roof: 11 gauge GR50
- Floor: 3/16" AR450
- Packer Face Panel: 3/8" 50,000 PSI

### Optional Equipment

- Strobe Lights & Beacons
- Cart Tipplers
- Hopper Cover
- Work Lights
- Upper Hopper Doors

**CURBTENDER**

www.curbtender.com

701 PERFORMANCE DRIVE, CEDAR FALLS, IA 50613

PHONE: 319.266.1721, FAX: 319.266.8207

© 2019 Curbtender Inc., All Rights Reserved. Specifications subject to change.